

# PARTS LIST

GK601PL

## CONTENTS

1. MAIN BODY .....	1 ~ 4
2. ACCESSORIES .....	5 ~ 6
3. ENGINE .....	7 ~ 10
4. CARBURETOR, RECOIL STARTER .....	11 ~ 12

2014. 02.

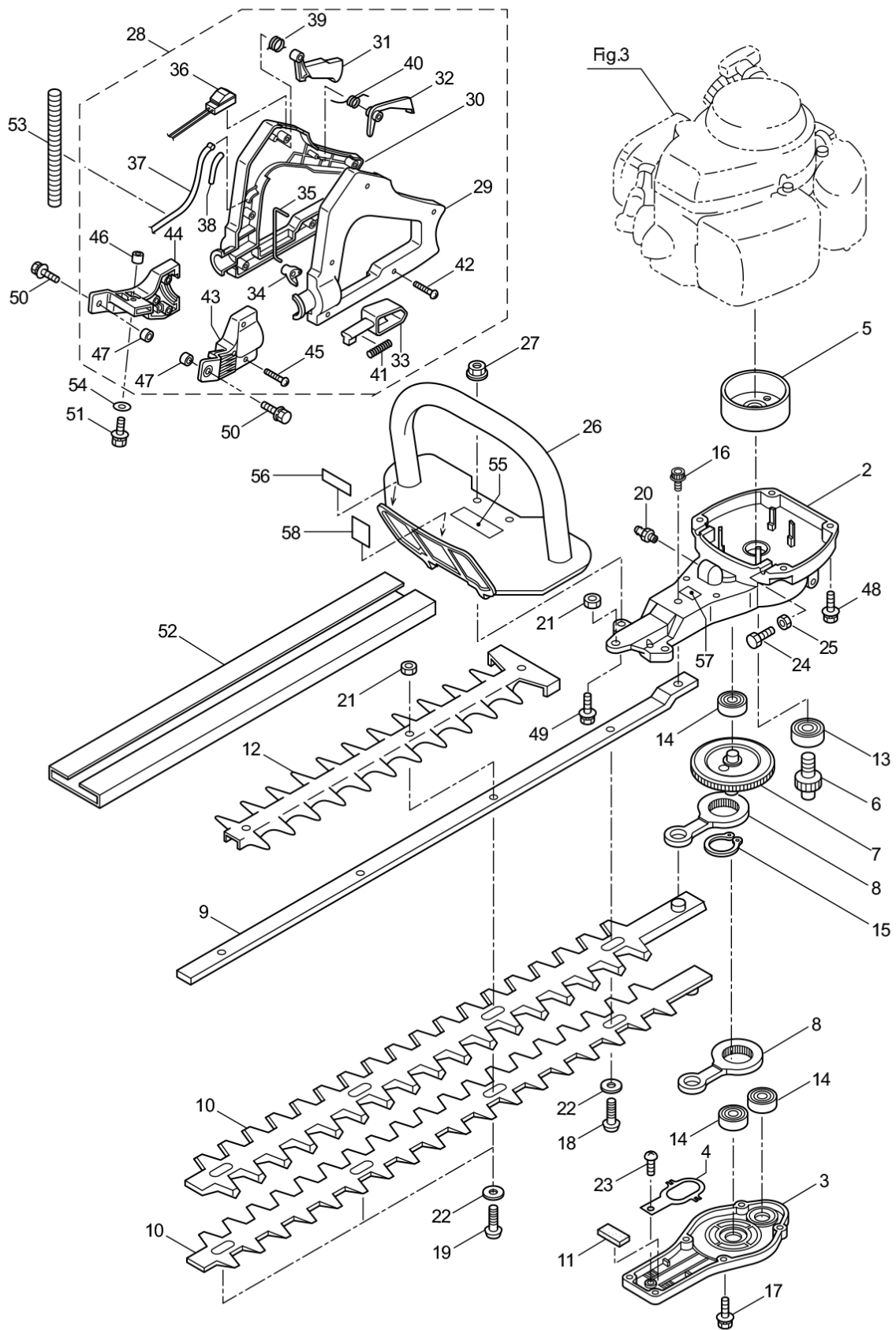


**MARUYAMA**

P/N 523744



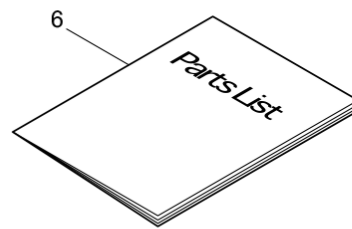
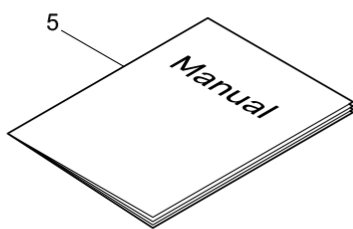
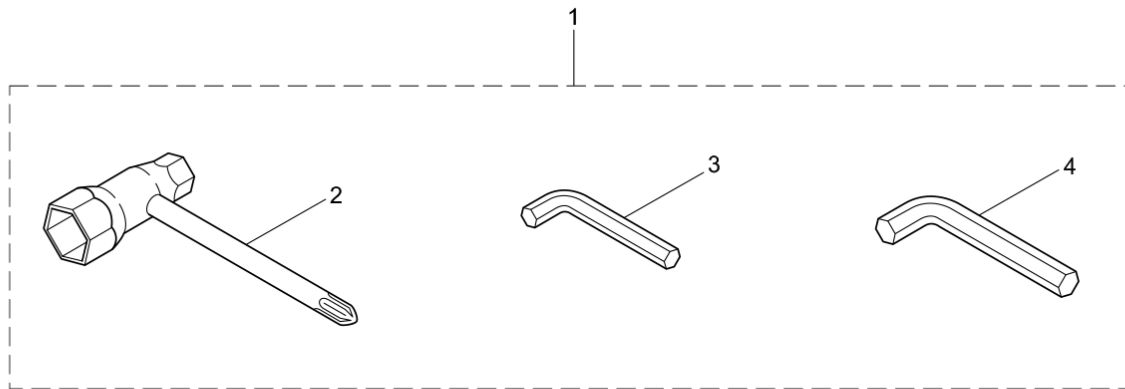
1. GK601PL  
MAIN BODY



Status	Position	Parts Number	Parts Name	Unit Quantity	Lot Order Quantity	Remarks			Maker code
	1	362381	GK601PL	1					
	2	271222	UPPER RECEIVER	1					
	3	271223	LOWER RECEIVER	1					
	4	271224	PLATE	1					
	5	270021	CLUTCH DRUM	1					
	6	271410	PINION	1					
	7	270552	CRANK COMP	1					
	8	271225	ROD	2					
	9	271226	GUIDE PLATE	1					
	10	270682	BLADE	2					
	11	271227	FELT	1					
	12	270371	BLADE GUARD W	1					
	13	580767	BEARING 6001 2RS	1		#6001 2RS			K354- 060010
	14	270423	BEARING 608ZZ	3					
	15	580777	SNAP RING	1	5	#26			K283- 026000
	16	271895	SCREW	1					
	17	580791	HEXAGON HEAD BOLT	6	5	M5x16			K054- 050160
	18	271229	SCREW	1					
	19	991914	SCREW	3					008-247
	20	991937	GREASE NIPPLE	1		M6			
	21	991941	U-NUT	4	5	M6			
	22	991913	WASHER	4	10				008-250
	23	991924	SCREW M3X5	1	10	M3x5			K010- 030050
	24	271230	SCREW	2					
	25	271231	SCREW	2					
	26	270241	FRONT HANDLE	1					
	27	991941	U-NUT	2	5	M6			
	28	271396	REAR HANDLE ASSY	1		Incl.29-47			
	29	271278	REAR HANDLE L	1					
	30	271279	REAR HANDLE R	1					
	31	271280	THROTTLE LEVER	1					
	32	271281	STOP LEVER	1					
	33	271282	LOCK LEVER	1					
	34	271283	LEVER STOPPER	1					
	35	271284	ROD	1					
	36	271285	SWITCH	1					
	37	271398	CABLE COMP.	1					
	38	271287	SPACER	1					
	39	271288	SPRING	1					

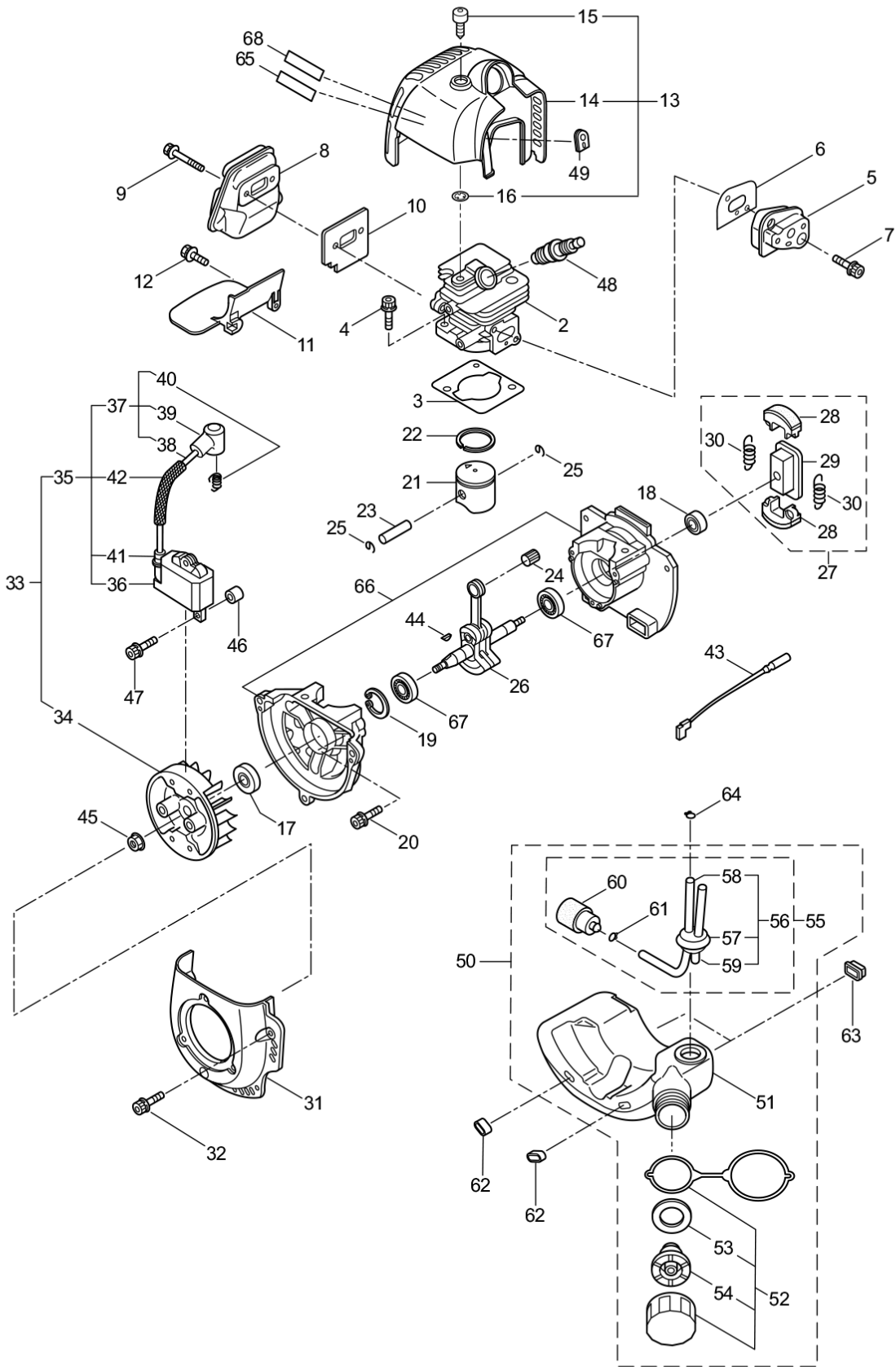
Status	Position	Parts Number	Parts Name	Unit Quantity	Lot Order Quantity	Remarks			Maker code
	40	271289	SPRING	1					
	41	270400	SPRING	1					
	42	271276	SCREW	5					
	43	271274	HANDLE STAY L	1					
	44	271275	HANDLE STAY R	1					
	45	271276	SCREW	3					
	46	270424	SPACER	1					
	47	271277	SPACER	2					
	48	271425	SCREW	4					
	49	270705	SCREW	2	5				
	50	271219	SCREW	2					
	51	271220	SCREW	1					
	52	217677	COVER OF BLADE	1					
	53	271221	TUBE	1					
	54	270843	WASHER	1		25x6xt1.6			
	55	270566	LABEL	1					
	56	266957	LABEL	1					
	57	266960	LABEL	1					
	58	283526	LABEL	1					

2. GK601PL  
ACCESSORIES



Status	Position	Parts Number	Parts Name	Unit Quantity	Lot Order Quantity	Remarks			Maker code
	1	264606	TOOL SET	1		Incl.2-4			
×	2	264607	PLUG WRENCH	1		10x19x(+)			
	3	219431	SPANNER	1		3mm			
	4	219432	WRENCH	1		4mm			
	5	274123		1					
	6	523744		1		GK601PL			

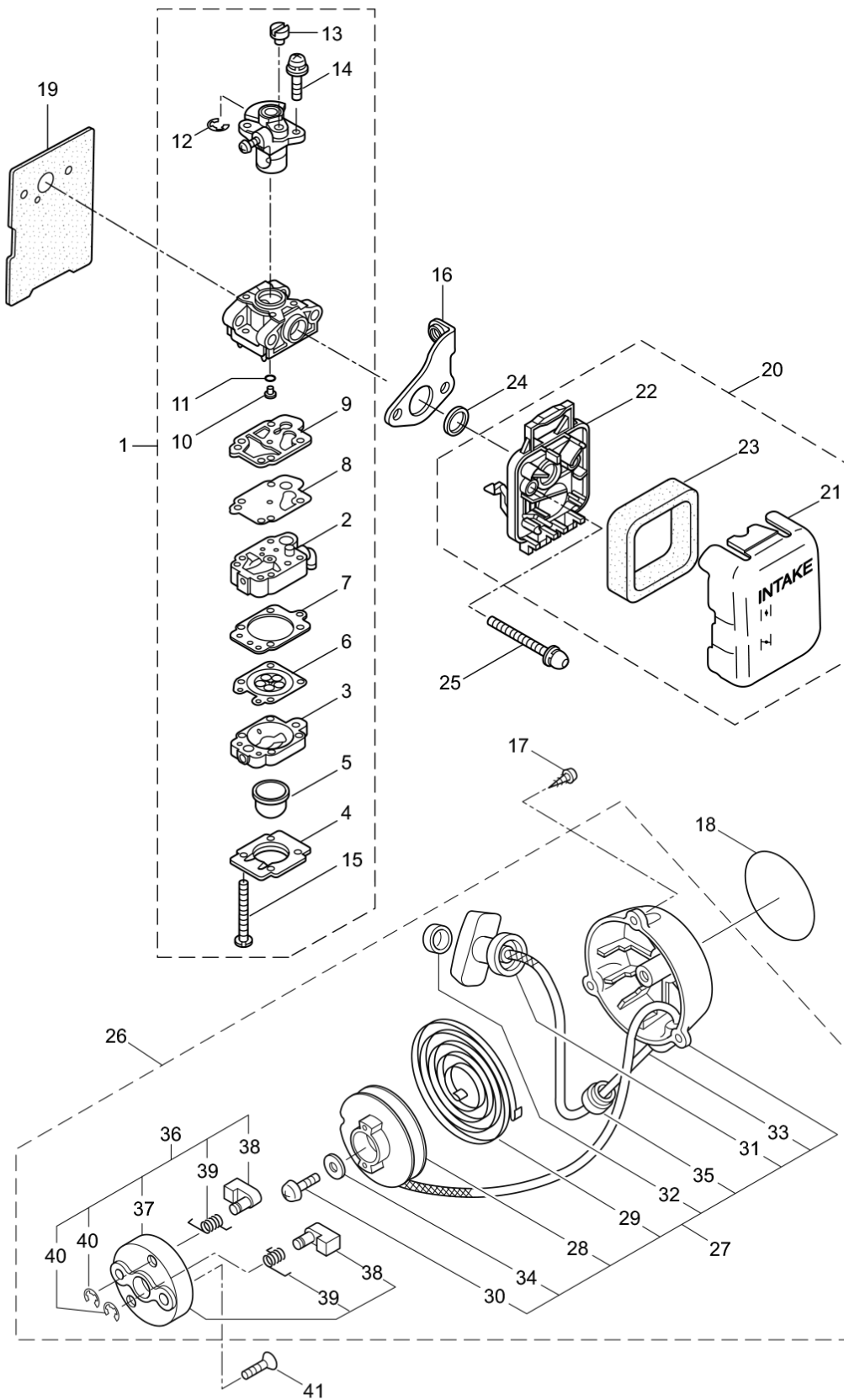
### 3. GK601PL ENGINE



Status	Position	Parts Number	Parts Name	Unit Quantity	Lot Order Quantity	Remarks			Maker code
	1	859545		1		HE230/26			
	2	283149	CYLINDER	1					
	3	283177	GASKET	1					
	4	267290	CAP SCREW	2	5	M5x20			
	5	265802	INSULATOR	1		New gasket required			
	6	267049	GASKET	1	5				
	7	265924	CAP SCREW	2	5	M5x25			
	8	283166	MUFFLER COMPLETE	1					
	9	264223	CAP SCREW M5X40	2	5	M5x40			
	10	283176	GASKET	1					
	11	283175	UNDER COVER	1					
	12	261607	CAP SCREW	1	5	M5x16			
	13	286388	TOP COVER	1		Incl.14-16			
	14	283161	TOP COVER	1					
	15	286399	BOLT	1		M5			
	16	286270	WASHER	1		M5			
	17	262712	OIL SEAL	1		TC10267			
	18	262713	OIL SEAL	1		TC10207			
	19	054676	RING SNAP	1	5	#26			
	20	261246	CAP SCREW	3	5	M5x25			
	21	283265	PISTON	1					
	22	263789	PISTON RING	1					
	23	281185	PISTON PIN	1					
	24	261037	BEARING NEEDLE KBK8X11X11.8X1	1		KBK8x11x11.8x1			
	25	261576	CLIP PISTON	2					
	26	283155	CRANKSHAFT COMPLETE	1					
	27	280404	CLUTCH ASSY	1		Incl.28-30			
	28	280568	CLUTCH SHOE	2		(2)required			
	29	280569	CLUTCH BOSS	1					
	30	280570	SPRING	2		(2)required			
	31	283160	FAN COVER	1					
	32	261250	CAP SCREW	3	5	M5x20			
	33	283163	ROTOR ASSY	1		Incl.34-42			
	34	283164	ROTOR	1					
	35	283165	IGNITION COIL ASSY	1		Incl.36-42			
	36	283267	COIL	1					
	37	283268	CORD ASSY	1		Incl.38-40			
	38	283269	CORD	1					
	39	283178	PLUG CAP	1					
	40	272805	CONNECTOR	1					

Status	Position	Parts Number	Parts Name	Unit Quantity	Lot Order Quantity	Remarks			Maker code
	41	283271	CAP	1					
	42	283272	TUBE	1					
	43	269722	LEAD	1					
	44	261076	WOODRUFF KEY 3X10	1	5	3x10			
	45	261077	NUT	1	5	M6			
	46	280381	SPACER	2	5				
	47	281211	CAP SCREW M4X20	2	5	M4x20			
	48	262483	SPARK PLUG NGK BPMR6Y	1		NGK BPMR6Y			
	49	283140	GROMMET	1					
	50	283437	TANK ASSY	1		Incl.51-61			
	51	283162	FUEL TANK	1					
	52	283438	TANK CAP ASSY	1		Incl.53,54			
	53	283727	PACKING	1	5				
	54	283764	BREATHER ASSY	1					
	55	265752	FUEL PIPE ASSY	1		Incl.56-61			
	56	264031	FUEL PIPE ASSY	1		Incl.57-59			
	57	261115	GROMMET	1					
	58	261690	FUEL PIPE	1		160L			
	59	263038	RETURN PIPE	1		3x6x85L			
	60	264653	FILTER ASSY	1					
	61	261117	CLIP	1					
	62	264318	PAD	2					
	63	261118	PAD	2					
	64	261117	CLIP	1					
	65	266959	LABEL	1		Caution			
	66	283150	CRANKCASE	1					
	67	261181	BEARING 6000C3	2		#6000C3			
	68	273272	LABEL	1					

4. GK601PL  
 CARBURETOR, RECOIL STARTER



Status	Position	Parts Number	Parts Name	Unit Quantity	Lot Order Quantity	Remarks			Maker code
	1	283436	CARBURETOR ASSY	1		Incl.2-15 New gasket required			
	2	268499	CARBURETOR BODY	1					
	3	262991	PURGE BODY	1					
	4	262992	COVER	1					
	5	261874	PRIMER	1					
	6	283905	DIAPHRAGM METERRING	1					
	7	262993	GASKET	1					
	8	262994	DIAPHRAGM	1					
	9	282576	GASKET	1					
	10	289621	JET	1					
	11	261871	O-RING	1					
	12	261876	RING	1					
	13	261658	SWIVEL	1					
	14	264682	SCREW	2					
	15	262996	SCREW	4	5				
	16	268535	STAY	1					
	17	280144	TAPPING SCREW	3	5				
	18	274121		1		GK601PL			
	19	283181	GASKET	1					
	20	264708	CLEANER ASSY	1		Incl.21-23			
	21	264709	AIR CLEANER COVER	1					
	22	264693	HOUSING	1					
	23	264695	FILTER	1					
	24	268963	GASKET	1	5	19.4x14.8xt3.5			
	25	269834	SCREW	2	5				
	26	283169	RECOIL STARTER ASSY	1		Incl.27-40			
	27	283170	STARTER ASSY	1		Incl.28-35			
	28	280492	REEL	1					
	29	287421	SPRING	1					
	30	280494	SCREW SET	1					
	31	280497	STARTER KNOB	1					
	32	280550	STOPPER	1					
	33	283616	STARTER ROPE	1					
	34	280547	WASHER	1	10				
	35	280548	COLLAR	1					
	36	280532	PULLEY ASSY	1		Incl.37-40			
	37	280533	PULLEY	1					
	38	269699	RATCHET	2					
	39	280553	SPRING	2					
	40	020299	E-RING #4	2	10	#4			

Status	Position	Parts Number	Parts Name	Unit Quantity	Lot Order Quantity	Remarks			Maker code
	41	264535	SCREW	2	5	M6x20			